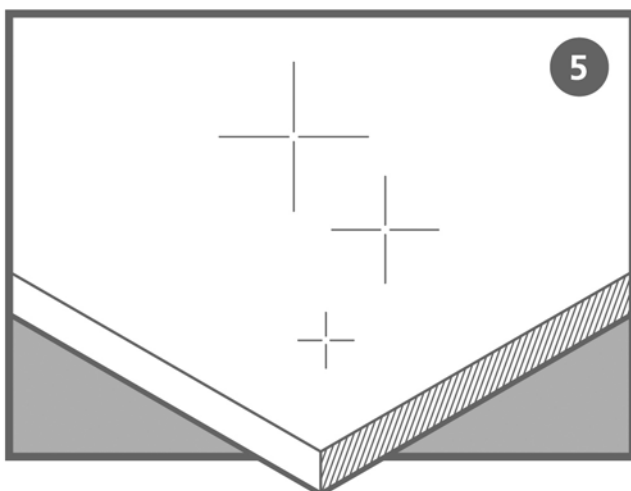
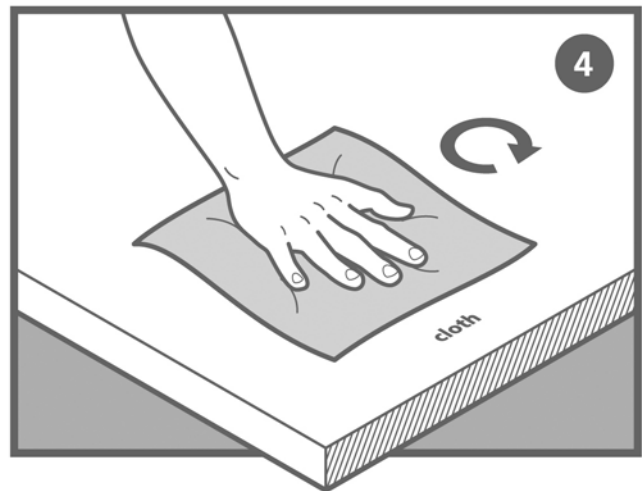
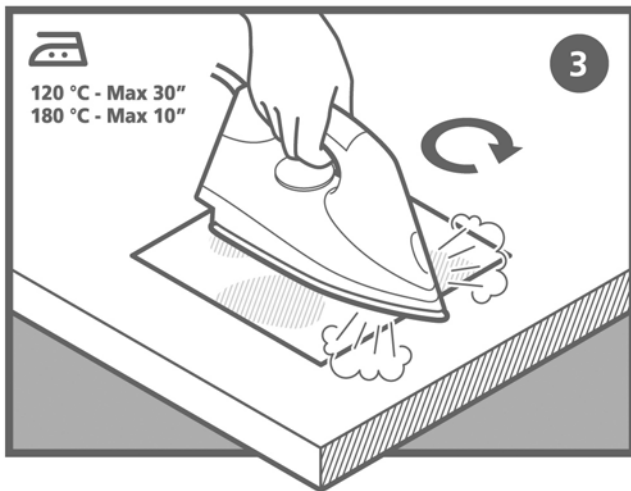
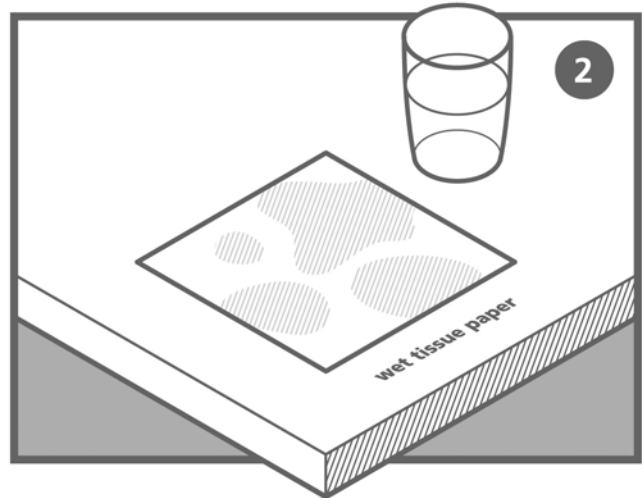
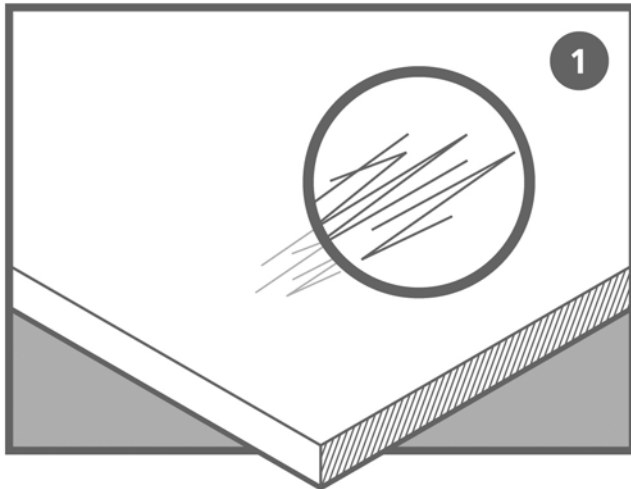




MAINTENANCE INSTRUCTIONS. IRON.

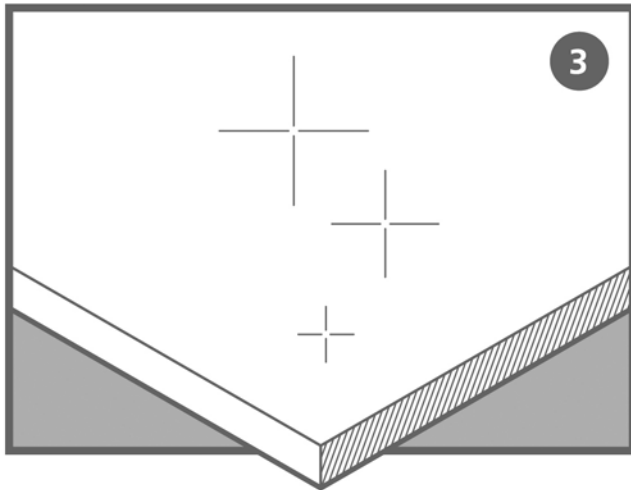
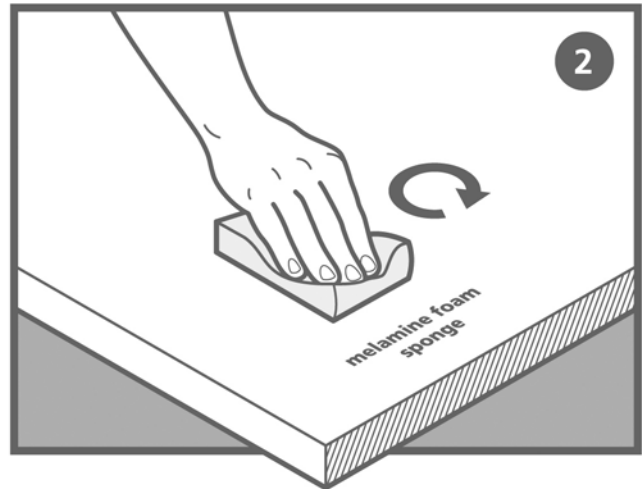
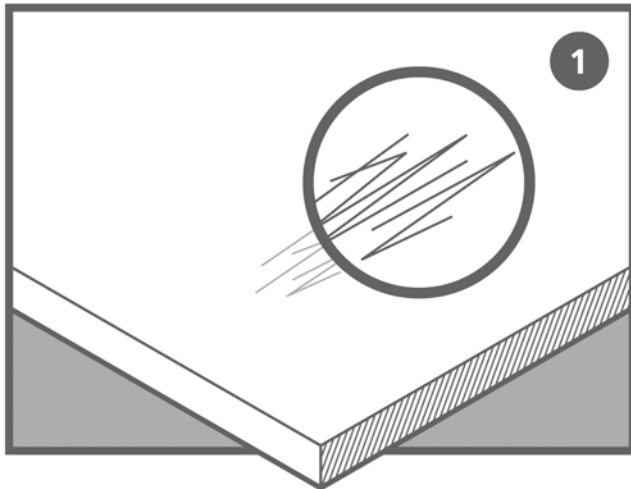


FENIX NTM is a material for interior design with advance surface features.





MAINTENANCE INSTRUCTIONS. MELAMINE FOAM SPONGE.



FENIX NTM is a material for interior design with advance surface features.

